



5330 East 25th Street  
Indianapolis Indiana 46218  
Phone: (888) 445-4142  
www.tepid.com

Installation &  
Maintenance Manual  
Certified to ANSI Z358.1



## Stingray Systems T3036 - Shower Cabinet Unit

### SUPPLIES REQUIRED (NOT INCLUDED)

- Cabinet mounting hardware - screws, washers, wall anchors (if not mounted to wall studs)
- Wall flange mounting hardware

\* Refer to all local plumbing codes throughout installation to ensure compliance

\* Refer to ADA & ANSI Z358.1 codes to ensure compliance

---

CAUTION: When installing/maintaining/adjusting the product, all fixtures should be isolated from use. Stingray Systems, Inc. recommends that you work safely at all times and in a manner consistent with the OSHA Lock/Tagout Standard, 29 CFR 1910.147 and other applicable standards.

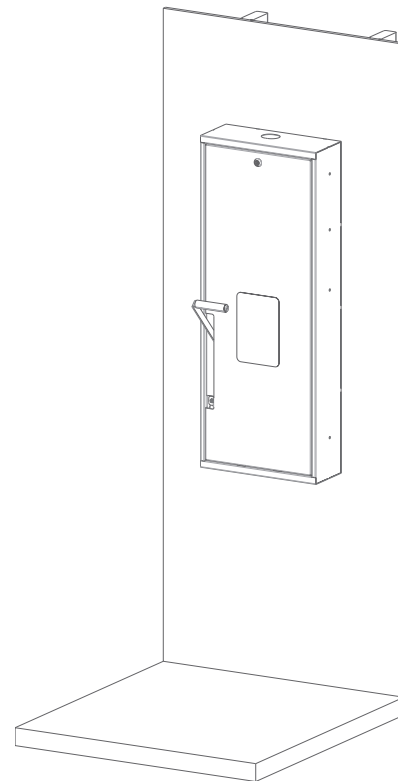
---

### GUARANTEE

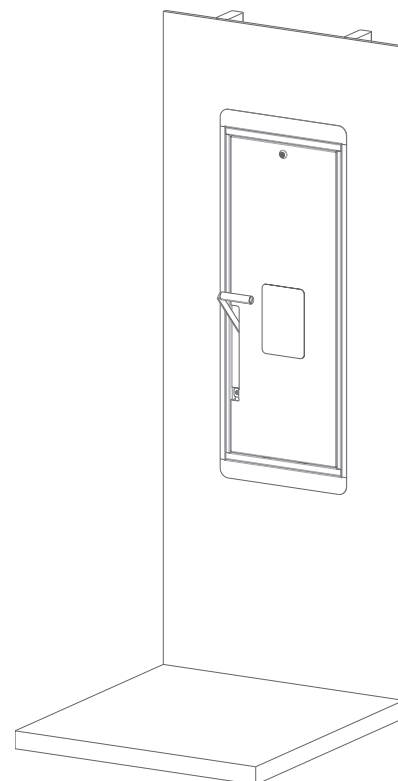
We guarantee the Stingray Systems product to be free from defects in workmanship and material, and for a period of eighteen (18) months from date of shipment from the factory or one (1) year from date of installation, whichever occurs first, will replace any parts found by us to be defective. We will not be held responsible, however, for any labor incidental to, or for any damages caused by defective material.

With any questions, please do not hesitate in contacting us at: **1-888-445-4142** or via email at **info@tepid.com**.

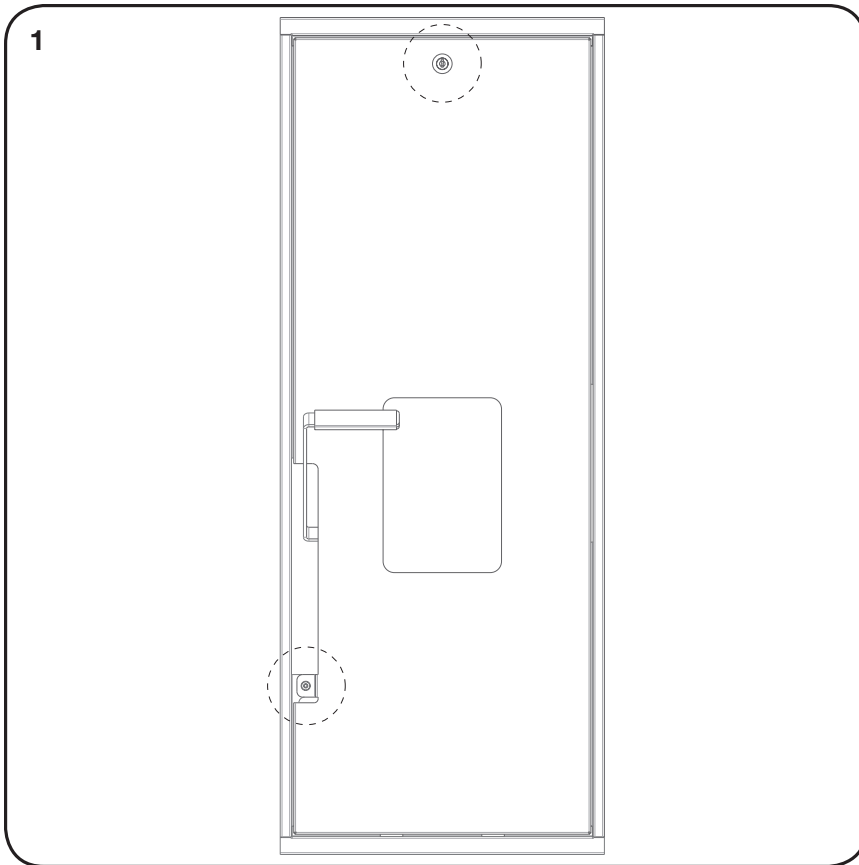
WALL MOUNTED



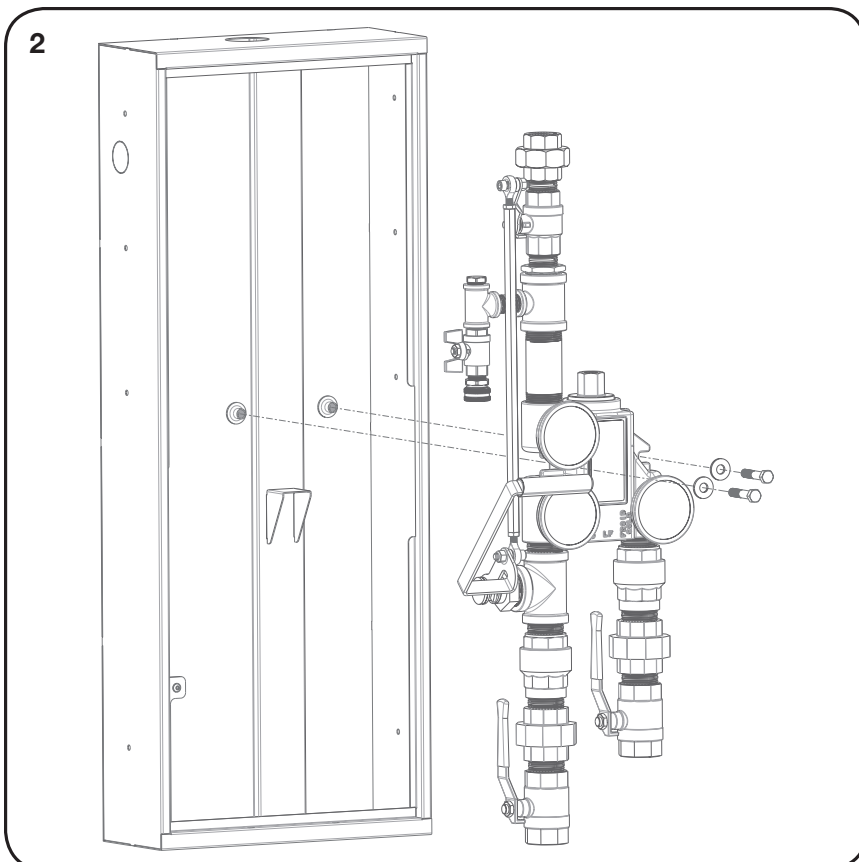
RECESSED MOUNTED



## STEPS

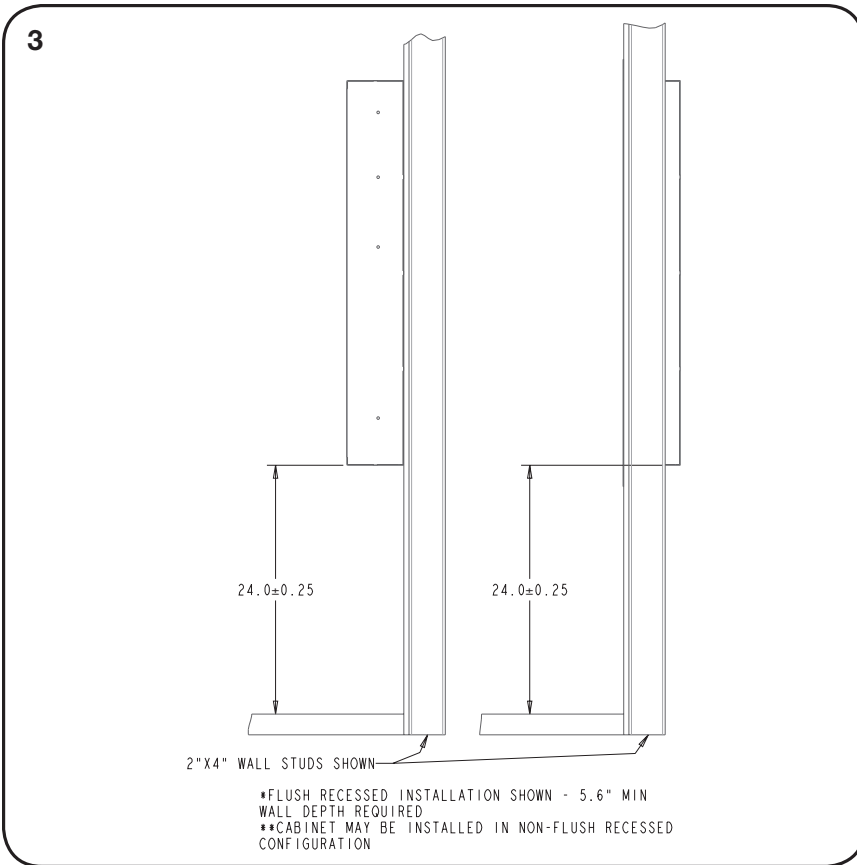


1. Remove Shower Cabinet door  
REQUIRED: Key & 1/8" Allen wrench

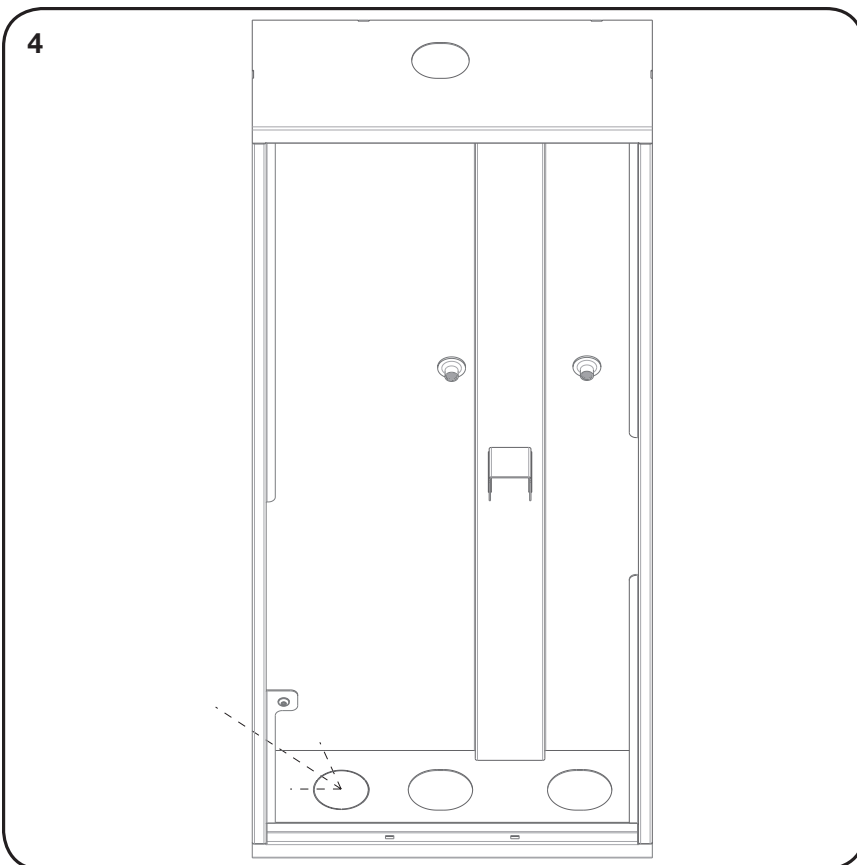


2. Remove mixing valve assembly & any packaging material from cabinet  
REQUIRED: 9/16" wrench or socket

**STEPS**

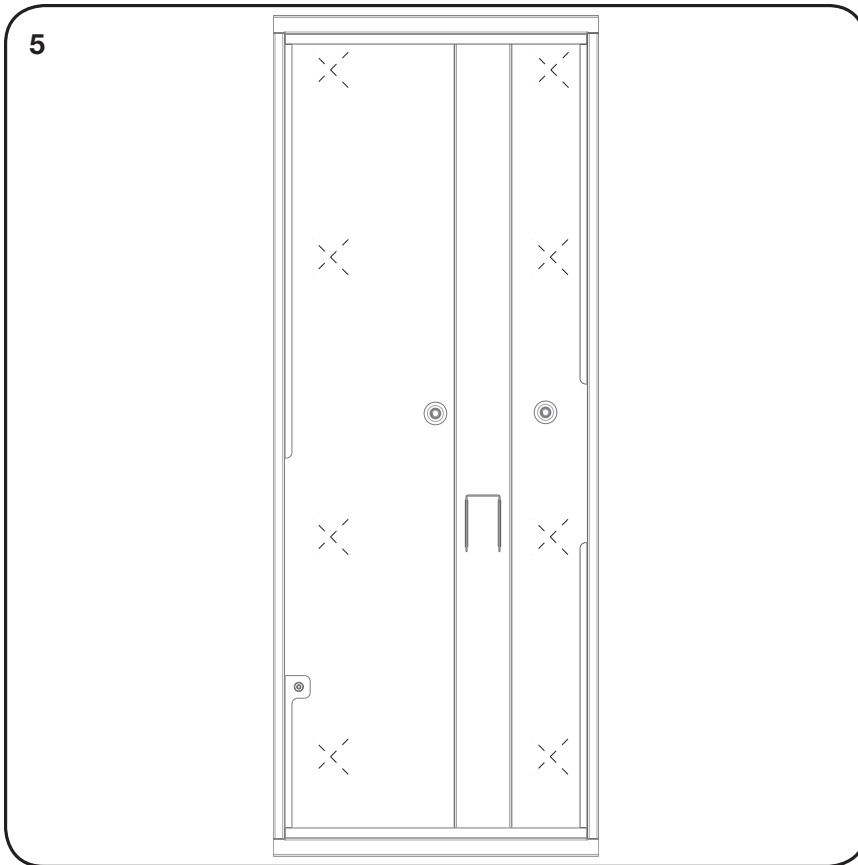


3. Shower Cabinet to be mounted 24" ± 0.25" above floor - mark wall accordingly

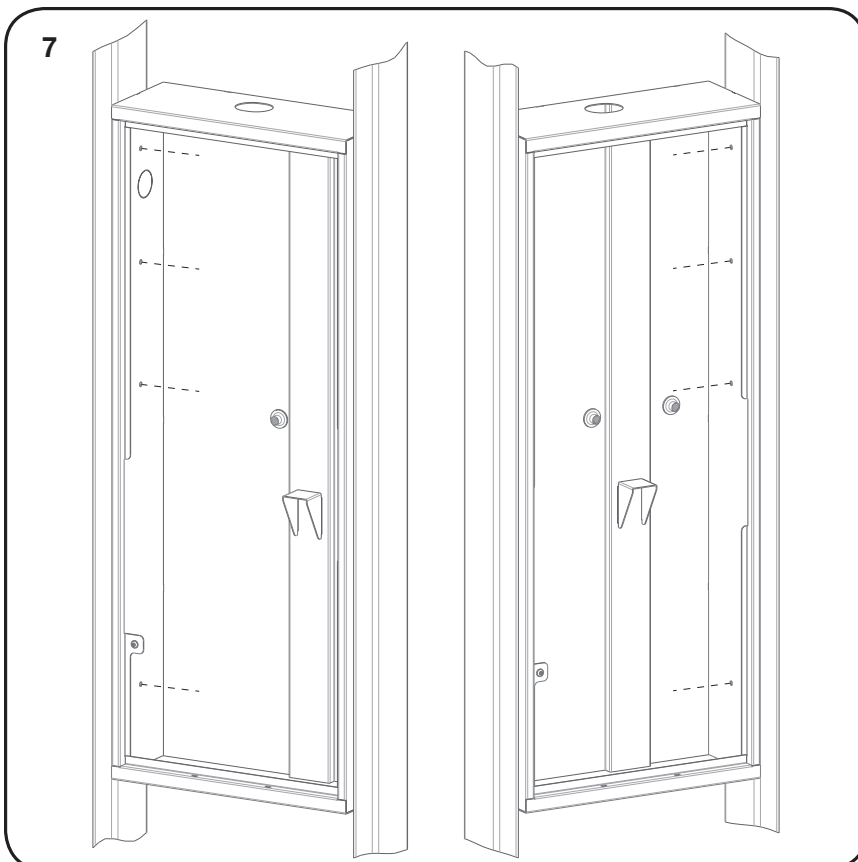


4. If required, remove bottom cabinet knockout for optional plumbed drain

## STEPS

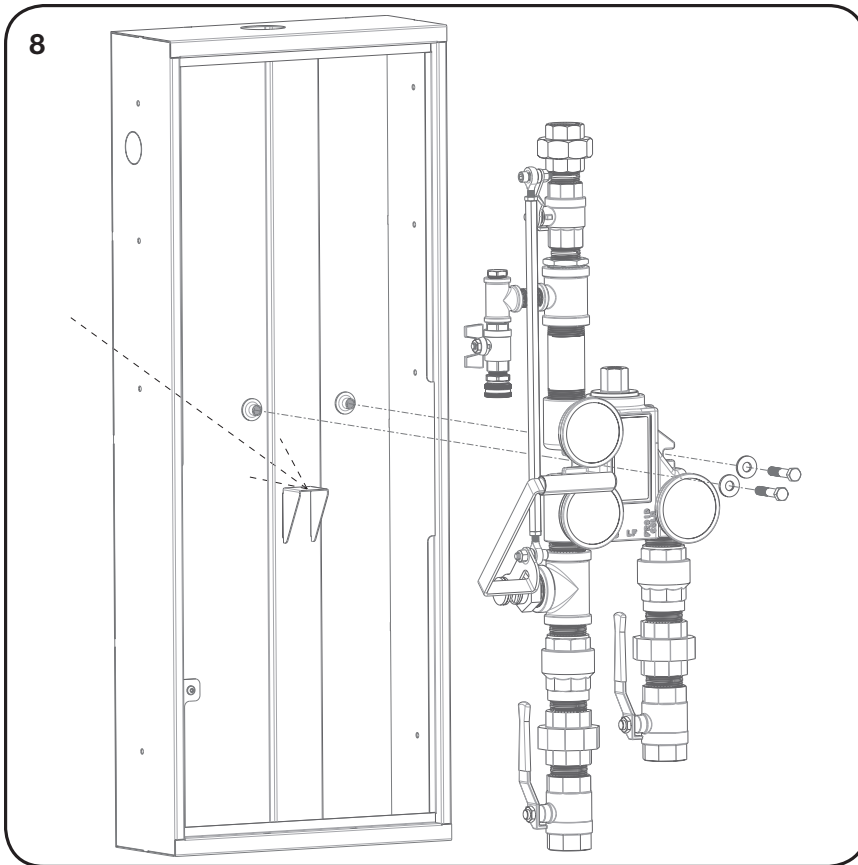


5. Wall Mounted (If recess mounting, skip to Step #7)  
Drill holes through back of cabinet where required for mounting (cabinet to be 24.0" ± .25" above floor)  
NOTE: It is recommended to mount cabinet directly to wall studs and/or blocking
6. Mount Shower Cabinet to wall using installer supplied hardware

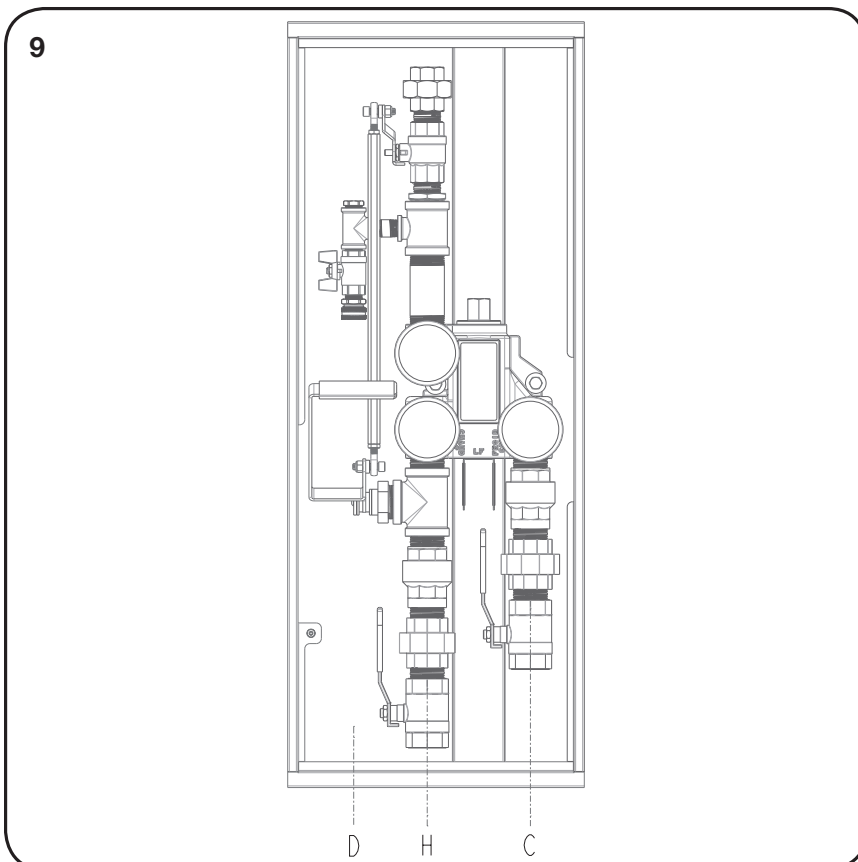


7. Recessed Mounted  
NOTE: Shower Cabinet is sized to mount between 16" centered 2-by wall studs.  
Determine desired recess depth. Mount cabinet between studs (24.0" ± .25" above floor) using the 4, 0.25" mounting holes on each side of cabinet with installer supplied hardware  
NOTE: Accommodate for wall board thickness when choosing recess depth  
NOTE: Mounting holes can be enlarged if required

**STEPS**

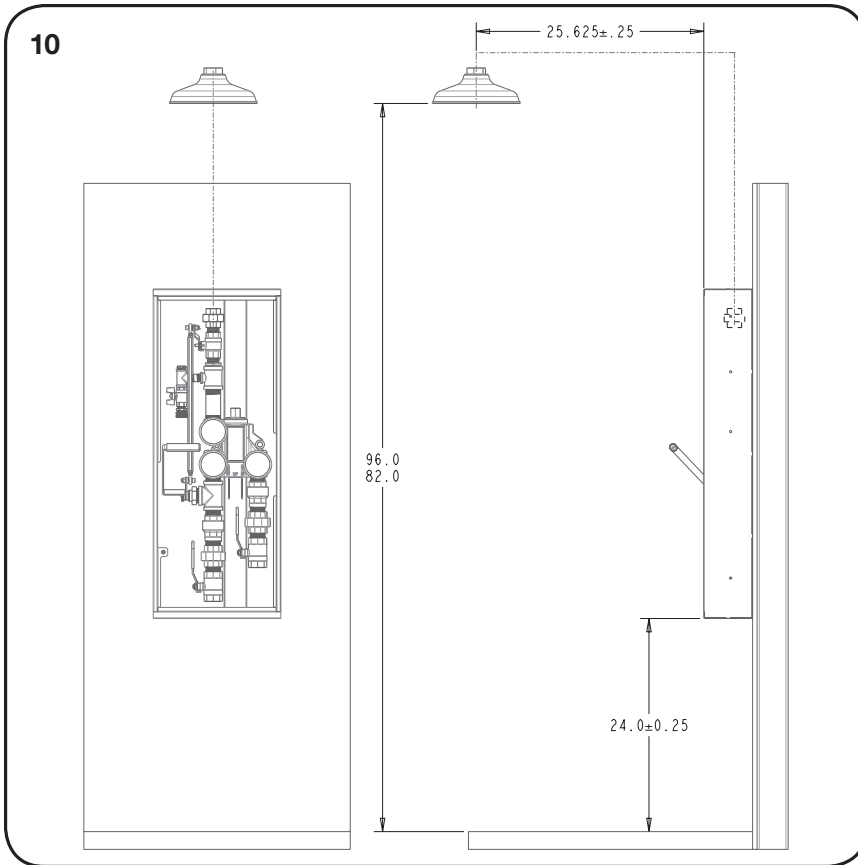


8. Re-install mixing valve assembly into cabinet  
REQUIRED: 9/16" wrench or socket  
NOTE: Mixing valve assembly can be set on support bracket while hardware is installed

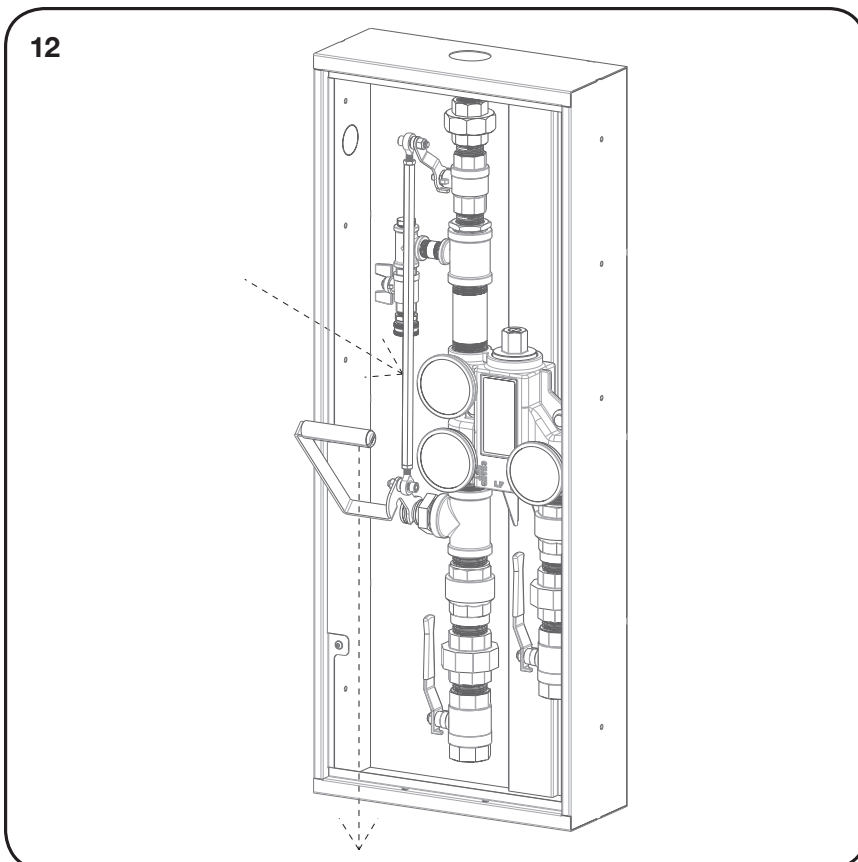


9. Connect hot & cold supply lines to corresponding 1-1/4" NPT inlets of mixing valve. If required, install cabinet drain

## STEPS

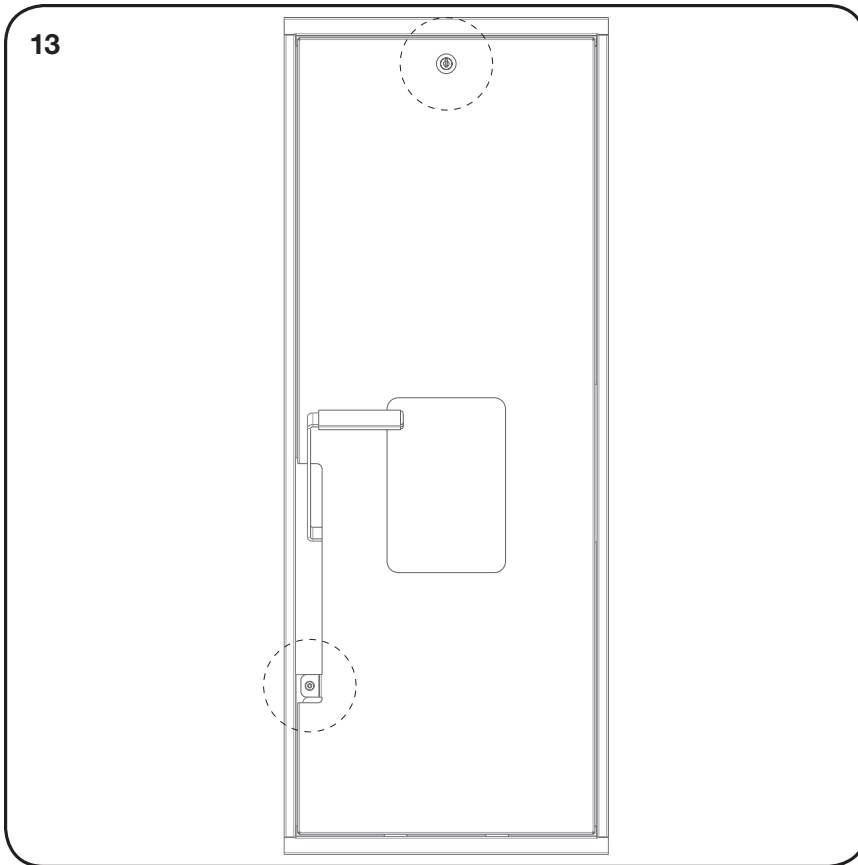


10. Install shower head in location shown & plumb to 1" NPT outlet of mixing valve  
NOTE: Stingray shower heads - 1" NPT connection also  
NOTE: Stingray ABS shower head shown
11. Open hot & cold supply lines to mixing valve & check unit for leaks.

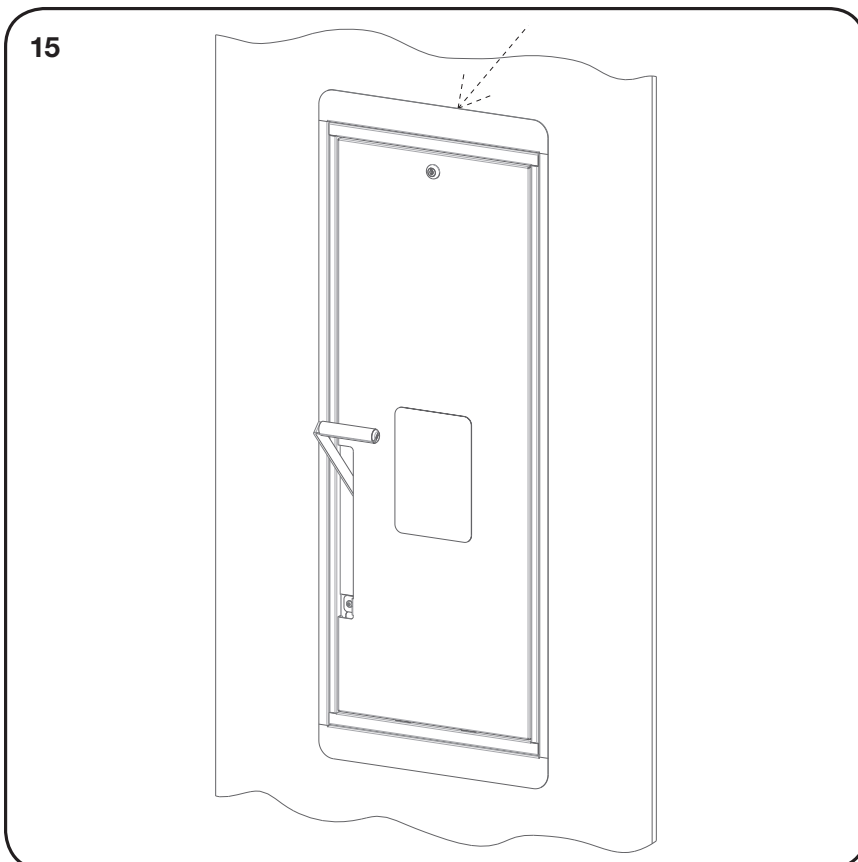


12. Pull activation lever the full travel down to full on & verify adequate flow through the shower head. (Refer to ANSI Z358.1 Standard) Close activation lever & verify no flow through shower head.

**STEPS**



- 13. Re-install Shower Cabinet door  
REQUIRED: Key & 1/8" Allen wrench
- 14. Repeat Step #12 to verify that activation lever is not impeded by cabinet door at full on & off positions - remove cabinet door & adjust turnbuckle length as needed if lever is impeded  
REQUIRED: 1/2" wrench X2,  
Key & 1/8" Allen wrench



- 15. Recessed Mounted  
Install wall flange over cabinet & affix to wall using installer supplied materials