



5330 East 25th Street
Indianapolis Indiana 46218
Phone: (888) 445-4142
www.tepid.com

Stingray Systems SERIES T3000 Floor Mounted Emergency Shower

In order to comply with the ANSI Z358.1 Standard the following notes should be observed:

- Station should be assembled and installed in accordance with the manufacturer's instructions, including flushing fluid delivery requirements.
- Station should be in accessible locations that require no more than 10 seconds to reach. The shower station shall be located on the same level as the hazard and the path of travel shall be free of obstructions that may inhibit its immediate use.
- Station should be located in an area identified with a highly visible sign positioned so the sign shall be visible within the area served by the station. The area around the station shall be well lit.
- Shower shall be positioned so that the showerhead is not less than 82 inches (208.3 cm) nor more than 84 inches (213.4 cm) from surface on which user stands.
- Shower spray pattern shall have a minimum unobstructed diameter of 20 inches (50.8 cm) at 60 inches (152.4 cm) above surface on which user stands, and center of spray pattern shall be located at least 16 inches (40.6 cm) from any obstruction.
- If shut off valves are installed in the supply line for maintenance purposes, provisions shall be made to prevent unauthorized shut off.
- Refer to ANSI Z358.1 to ensure compliance.



NOTES: It is recommended to flush pipes prior to installing shower fixture. Instructions should be reviewed prior to starting the installation. Remove parts from packaging and verify all necessary parts are accounted for and not damaged. Please contact Stingray Systems for any missing or damaged parts prior to starting installation.

Stingray Systems recommends that you work safely at all times and in a manner consistent with the OSHA Lock/Tagout standard, 29 CFR 1910.147 and other applicable standards.

**Installation &
Maintenance Manual**
Certified to ANSI Z358.1



INSTALLATION SUPPLIES

Supplies Included:

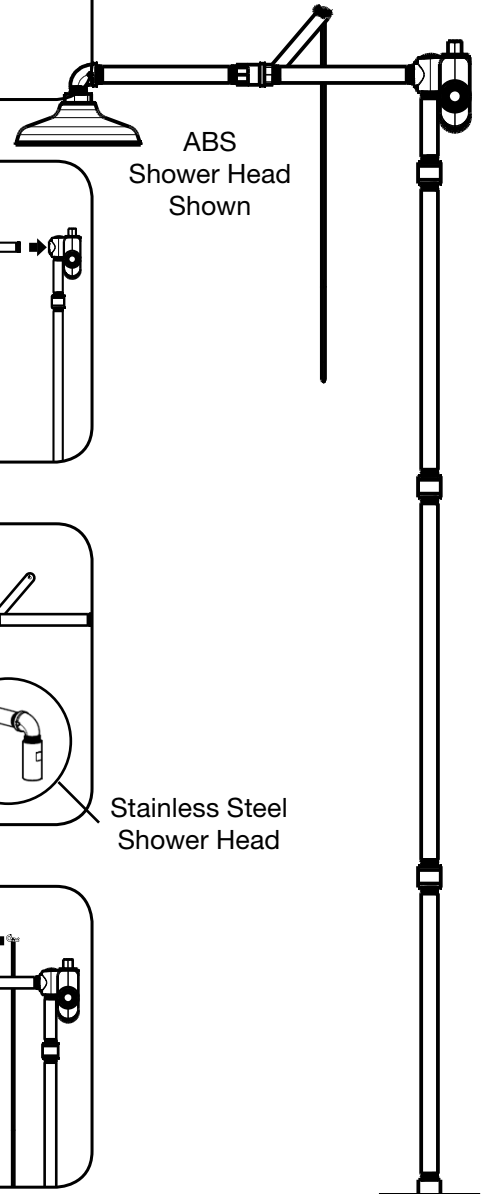
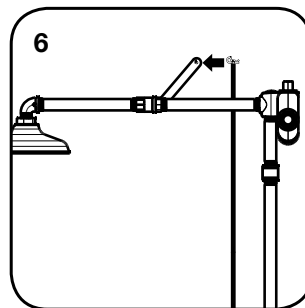
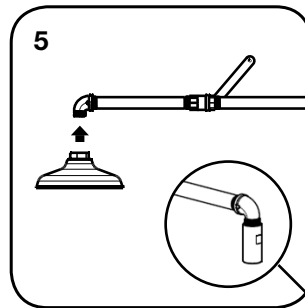
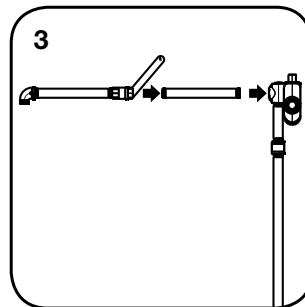
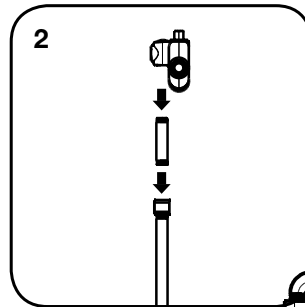
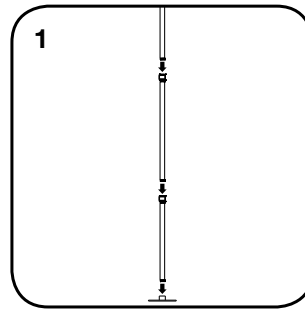
- Floor Mount Plate ✓
- Pedestal Pipe (Lower Assembly, Middle Assembly, Manifold, Solid Pipe, Coupler) ✓
- Tepid Manifold Assembly ✓
- Shower Arm Assembly ✓
- Shower Head ✓
- Drench Pull Handle ✓

Supplies Required (Not Included):

- Pipe Sealant or Teflon Tape - To Be Used On All Piping Connections
- (3) 3/8" Floor Anchors Specific For Floor Substrate

PEDESTAL INSTALLATION

1. Thread **Lower Assembly** of 24" pipe to **Floor Base Plate**. Thread **Middle Assembly** of 30" pipe to **Lower Assembly**. Thread **Upper Assembly** of 24" pipe to **Middle Assembly**.
2. Thread **Tepid Manifold Assembly** and **Solid Pipe** onto partially assembled unit.
3. Thread **Shower Arm Assembly** into **Tepid Manifold** as shown.
4. Position partially assembled unit at final location. Using the **Floor Mount Plate** as a template, install floor anchors (not included) into the floor. Secure partially assembled unit to the floor with the anchors.
5. Thread **Shower Head** to the station.
6. Attach **Drench Pull Handle** by placing Nylon Washer on each side of outer hole on shower activator arm. Insert **Drench Pull Handle** through hole. Lock into place by inserting Cotter Pins into holes of Drench Pull.
7. Mount sign near (or onto) the assembled unit at the desired location.
8. Remove **Checks** from protective wrapping and install on the Tepid Manifold connection, making sure the arrows are aligned correctly (pointing toward the assembly).
9. Ensure the activator is pushed upward in the "off" position. Then, connect 1 1/4" NPT supply piping to assembled station. Installer to provide sufficient support of piping; assembled station should *not* be relied on as piping support.
10. Open supply line to check for leaks. Pull down on **Drench Pull Handle** to insure adequate flow through showerhead. Push up on **Drench Pull Handle** to stop water flow from shower.





FIXTURE TROUBLESHOOTING

Problem	Checklist
No flow.	Make sure the water supply for station is on. Verify checks of Tepid Manifold Assembly correctly installed.
Water does not drain properly.	Check to see if station is installed level and correct as needed. Double check the main waste line for the facility. Make sure there is no blockage and that it can handle the required drainage.
Water leaks between fittings or connections.	Tighten all connections. If leak persists, disassemble, apply additional sealant and reassemble.
Insufficient flow from shower head.	Turn water supply to station off. Remove shower head and clean out any debris. Make sure pull handle is completely engaged. is fully opened. Verify pressure to station is at 30 psi as required.

MAINTENANCE

Emergency Shower System shall be activated on a weekly basis to verify operation and to flush the lines per the American National Standards Institute (ANSI). Inspections shall be recorded with inspector's name and date tested.

Should the need to repair or replace any parts on this station, please contact Stingray Systems. Before any repairs are performed, please verify that the water supply to the station is shut off.

GUARANTEE

We guarantee the Stingray Systems product to be free from defects in workmanship and material, and for a period of eighteen (18) months from date of shipment from the factory or one (1) year from date of installation, whichever occurs first, will replace any parts found by us to be defective. We will not be held responsible, however, for any labor incidental to, or for any damages caused by defective material.

With any questions, please do not hesitate in contacting us at: **1-888-445-4142** or via email at **info@tepid.com**.

VALVE TROUBLESHOOTING

Problem	Checklist
No hot water.	Ensure hot water is on. Check pressure at both inlets. Pressures must be near-equal, or seats will check and only allow cold water. Need at least 30 psi at both hot and cold inlets. Need at least a 20 degree difference between hot water and set temperatures, as well as cold water and set temperatures. Inspect checks for debris; clean/replace if needed. Remove thermostat and check for debris. Make sure liner can move. Clean thermostat. If continues, replace thermostat.
No cold water.	Ensure hot connects to hot side; cold to cold side. Inspect checks for debris; clean/replace if needed. Remove thermostat and check for debris. Ensure liner can move. Clean thermostat. Replace thermostat if needed.
No water.	Ensure hot water is on. Check pressure at both inlets. Pressures must be near-equal, or seats will check and only allow cold water. Need at least 30 psi at both hot and cold inlets. Need at least a 20 degree difference between hot water and set temperatures, as well as cold water and set temperatures. Inspect checks for debris; clean/replace if needed. Remove thermostat and check for debris. Ensure liner can move. Clean thermostat. Replace thermostat if needed.
Insufficient flow.	Ensure hot water is on. Check pressure at both inlets. Pressures must be near-equal, or seats will check and only allow cold water. Need at least 30 psi at both hot and cold inlets. Need at least a 20 degree difference between hot water and set temperatures, as well as cold water and set temperatures. Inspect checks for debris; clean/replace if needed. Remove thermostat and check for debris. Ensure liner can move. Clean thermostat. Replace thermostat if needed.
Temperature fluctuation.	Ensure incoming building pressure is not fluctuating. Inspect supply lines for other equipment that may be reducing pressure to the emergency fixtures. Check pressure at both inlets. Pressures must be near-equal, or seats will check and only allow cold water. Need at least 30 psi at both hot and cold inlets. Need at least a 20 degree difference between hot water and set temperatures, as well as cold water and set temperatures. Inspect checks for debris; clean/replace if needed. Remove thermostat and check for debris. Ensure liner can move. Clean thermostat. Replace thermostat if needed.
Leaks around thermostat.	Remove thermostat and check O-ring. If damaged or worn, replace/tighten.
Water in thermostat.	Check connection. Replace thermometer.



WEEKLY TEST RECORD

Month	Test 1	Test 2	Test 3	Test 4
January				
February				
March				
April				
May				
June				
July				
August				
September				
October				
November				
December				
January				
February				
March				
April				
May				
June				
July				
August				
September				
October				
November				
December				

Plumbed emergency eyewashes, eye/face washes, drench hoses, shower, and combinations systems shall be activated and tested for a period long enough to verify operation and ensure that flushing fluid is available.

WARNING: This product contains chemicals known to the State of California to cause cancer and birth defects or other reproductive harm. (Installer: California law requires that this warning be given to the consumer.)
For more information: www.oehha.org/prop65