



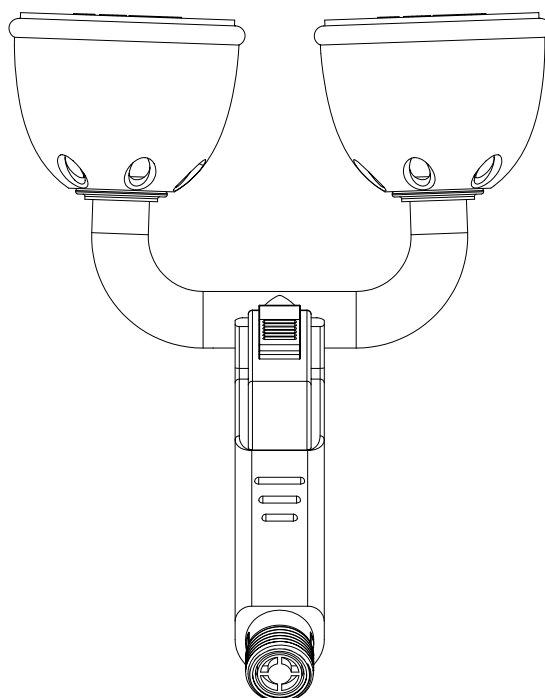
Stingray Systems ACC420 Drench Hose

Model: ACC420

The Stingray Systems ACC420 Series Drench Hose is made of solid brass with a high gloss powder finish. The coating shall be chemical resistant, resistant to fading due to UV, and easy to maintain. The spray head(s) are soft rubber with ABS dust covers. The dust cover(s) shall open automatically with the start of water flow and will remain open while in use. The control valve on the units has no return and will shut-off automatically. Units are supplied with a 1/2" reinforced hose.

ACC420 is available as dual head unit. All units have flexible mounting options and can be deck mounted, wall mounted, or mounted directly to an emergency plumbing fixture. The ACC420 has a "stay-open" option for the handle. With the "stay-open" option, once the handle is depressed, the unit will provide a continuous flow of water in a "hands-free" mode.

When combined with the "stay-open" option and our SV107 Emergency Mixing Valve, the ACC420 can be used as an ANSI Z358.1 compliant eyewash system (as long as the location and installation requirements of the standard are followed).



Drench Hoses:

- ACC420

- Deck Mounted
- Wall Mounted
- Mounted To Separate Fixture

- SV107 Emergency Mixing Valve

In accordance with ANSI Z358.1, a drench hose is considered a supplemental device, unless it meets the flow and pattern of an eye or eye/face wash system and is able to "stay-open". Supplemental devices do not replace other types of emergency equipment.