



5330 East 25th Street  
Indianapolis Indiana 46218  
(888) 445-4142  
www.tepid.com

ANSI/ISEA Z358.1 Certified  
Patent Information:  
tepid.com/patents

## Stingray Systems **S3030/S3035** Wall Mounted Emergency Shower

The S3030/S3035 emergency shower is a wall mounted unit that shall be manufactured of corrosion resistant materials and shall include ANSI compliant signage. The shower shall include a First Aid Red ABS showerhead (or stainless steel showerhead) designed to give the user uniform and non-forceful flow over the entire coverage area at 20 gpm at 30psi. A stainless steel pull handle connected to the nickel-plated ball valve accomplishes activation of the shower.

The inlet piping shall be galvanized steel (or epoxy coated or stainless steel) and 1" NPT. The shower shall be installed at the correct elevation per the standard, be installed level and be self-draining to hinder bacteria growth. The shower shall also be independently certified to meet the latest ANSI/ISEA Z358.1 requirements.



**Series: S3030/S3035**

**Model Number:**

- S3030 Wall Mounted Standard Shower
- S3035 Wall Mounted Barrier Free Shower

**Pipe Finish:**

- Galvanized (**GA**)
- Epoxy Coated (**EP**)
- Stainless Steel (**SS**)

**Showerhead Material Options:**

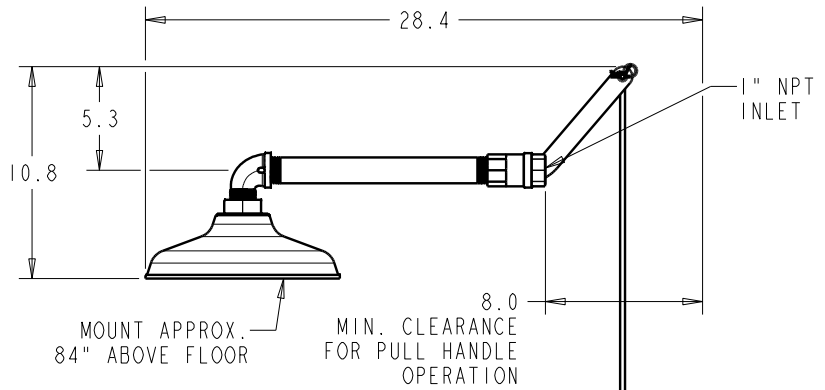
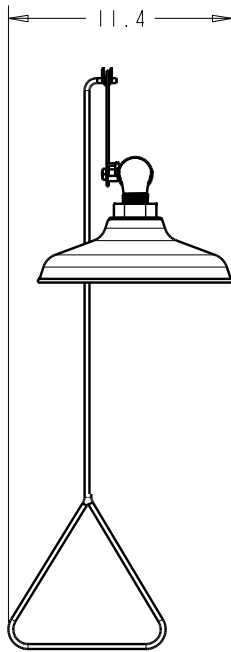
- ABS (**NA/AB**)
- Stainless Steel (**NA/SS**)

For a complete **TEPID** solution, this fixture shall be combined with a Stingray SV125 or SV160 emergency mixing valve.

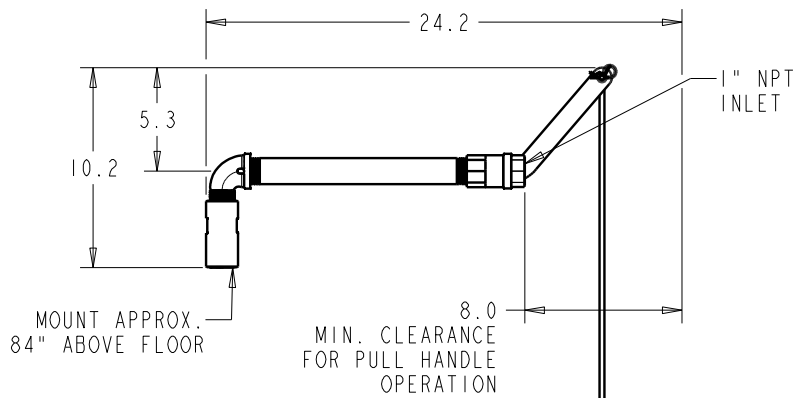
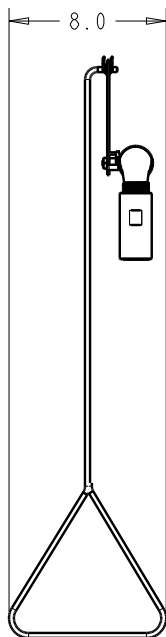


5330 East 25th Street  
Indianapolis Indiana 46218  
(888) 445-4142  
www.tepid.com

ANSI/ISEA Z358.1 Certified  
Patent Information:  
tepid.com/patents



**Model:  
S3030 ABS**



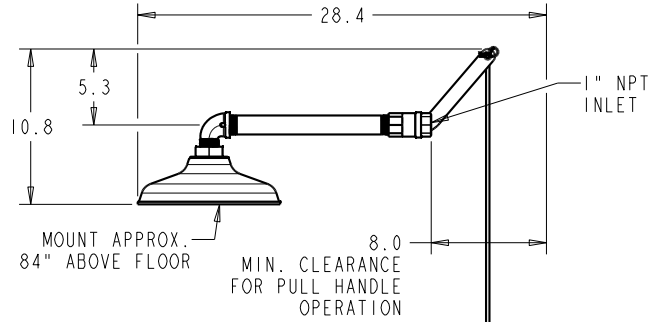
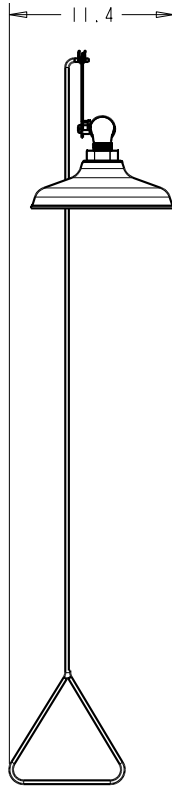
**Model:  
S3030 SS**

Illustrations shown with ABS Shower Head.  
Design and specification subject to change without notice.

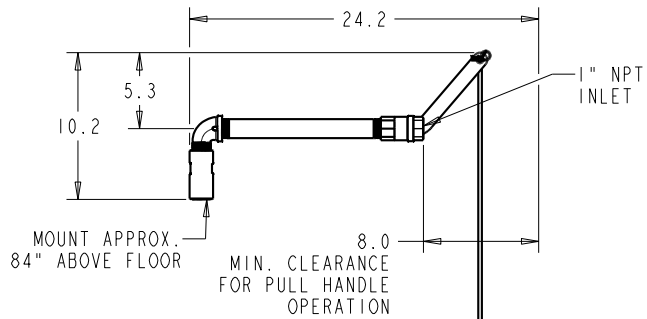
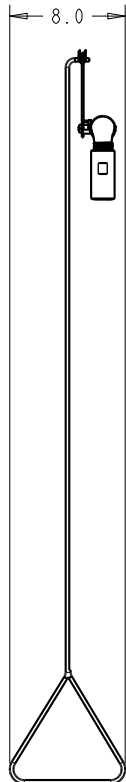


5330 East 25th Street  
Indianapolis Indiana 46218  
(888) 445-4142  
www.tepid.com

ANSI/ISEA Z358.1 Certified  
Patent Information:  
tepid.com/patents



## Model: S3035 ABS



## Model: S3035 SS

Illustrations shown with ABS Shower Head.  
Design and specification subject to change without notice.