



5330 East 25th Street
Indianapolis Indiana 46218
Phone: (888) 445-4142
www.tepid.com

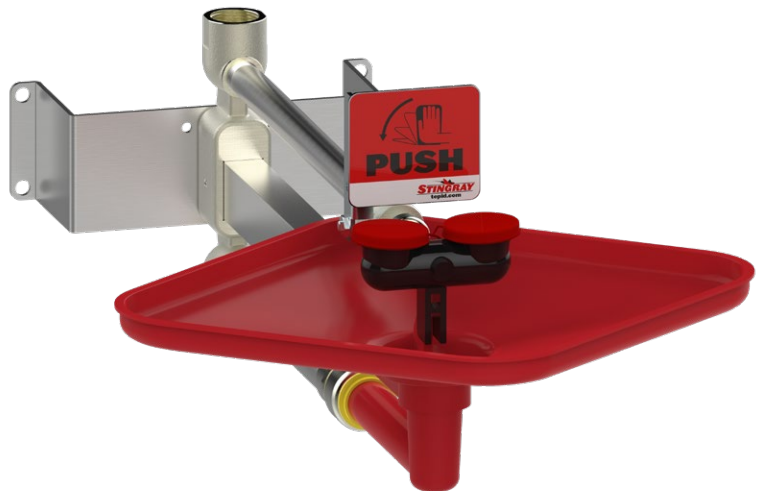
Installation &
Maintenance Manual
Certified to ANSI Z358.1



Stingray Systems SERIES S2000 Wall Mounted Eye/Face Wash

In order to comply with the ANSI Z358.1 Standard the following notes should be observed:

- Station should be assembled and installed in accordance with the manufacturer's instructions, including flushing fluid delivery requirements.
- Station should be in accessible locations that require no more than 10 seconds to reach. The eye/face wash station shall be located on the same level as the hazard and the path of travel shall be free of obstructions that may inhibit its immediate use.
- Station should be located in an area identified with a highly visible sign positioned so the sign shall be visible within the area served by the eye/face wash station. The area around the eye/face wash station shall be well-lit.
- Eye/Face wash flow pattern shall be not less than 33 inches (83.8cm) and no greater than 53 inches (134.6 cm) from surface on which user stands and 6 inches (15.3 cm) minimum from wall or nearest obstruction.
- If shut off valves are installed in the supply line for maintenance purposes, provisions shall be made to prevent unauthorized shut off.
- Refer to ANSI Z358.1 to ensure compliance.



NOTES: It is recommended to flush pipes prior to installing emergency eye/face wash fixture. Instructions should be reviewed prior to starting the installation. Remove parts from packaging and verify all necessary parts are accounted for and not damaged. Please contact Stingray Systems for any missing or damaged parts prior to starting installation.

Stingray Systems recommends that you work safely at all times and in a manner consistent with the OSHA Lock/Tagout standard, 29 CFR 1910.147 and other applicable standards.

INSTALLATION SUPPLIES

Supplies Included:

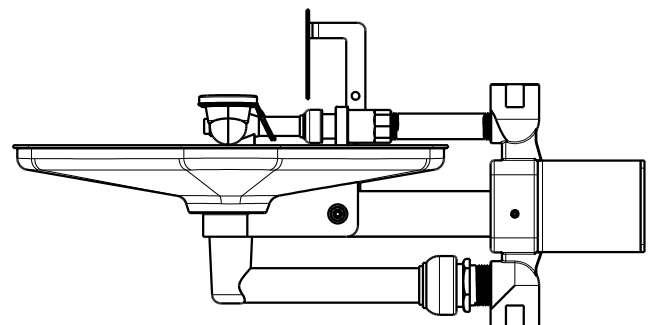
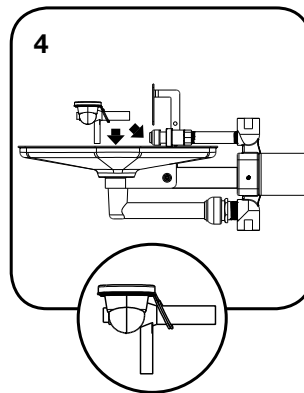
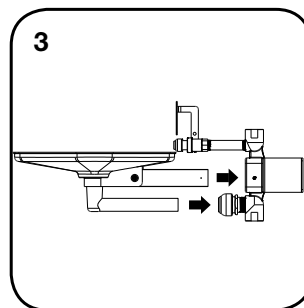
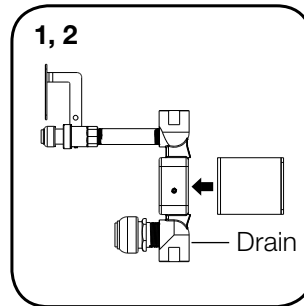
- Wall Mount Plate ✓
- Wall Mount Plate Screws ✓
- Manifold Assembly ✓
- Bowl Assembly ✓
- Eye/Face Wash Block ✓
- Dust Covers ✓

Supplies Required (Not Included):

- Pipe Sealant or Teflon Tape - To Be Used On All Piping Connections
- Wall Anchors (4) 3/8" Anchors Specific For Wall Substrate

WALL INSTALLATION

1. Attach **Manifold Assembly** to **Wall Mount Plate** with **Wall Mount Plate Screws**.
2. Secure **Wall Mount Plate** to wall with wall anchors (not included).
3. Insert **Bowl Assembly** into **Manifold Assembly** with red drainpipe going into drain fitting. Insert drain fitting on **Manifold Assembly** to red drainpipe on **Bowl Assembly**. Tighten setscrews on side of **Manifold Assembly** to support tube.
4. Loop **Dust Covers** onto inlet tube on **Eye/Face Wash Block**. Secure the **Eye/Face Wash Block** to the **Bowl Assembly** by ensuring the legs of the block straddle the tab on the bowl..
5. Mount sign near the assembled unit at the desired location.
6. Ensure the activator is the "off" position. Then, connect 1/2" NPT supply piping to assembled station. Installer to provide sufficient support of piping; assembled station should *not* be relied on as piping support.
7. Connect 1" NPT drain piping to drain outlet at the bottom of the station.
8. Open supply line to check for leaks. Push on activator to insure adequate flow and drainage through **Eye/Face Wash Block**. Pull back to stop water flow.



ABS Bowl Shown



FIXTURE TROUBLESHOOTING

Problem	Checklist
No flow.	Make sure the water supply for station is on. Verify checks of Manifold Assembly correctly installed. Remove eye pieces and clean out any debris.
Water does not drain properly.	Check to see if station is installed level and correct as needed. Make sure nothing is blocking drain of the bowl. Remove any debris. Double check the main waste line for the facility. Make sure there is no blockage and that it can handle the required drainage.
Water leaks between fittings or connections.	Tighten all connections. If leak persists, disassemble, apply additional sealant and reassemble.
Insufficient flow to eye/face wash.	Turn water supply to station off. Remove the eye pieces and clean out any debris. Make sure diverter is fully opened. Verify pressure to station is at 30 psi as required.

MAINTENANCE

Emergency Eye/Face Wash System shall be activated on a weekly basis to verify operation and to flush the lines per the American National Standards Institute (ANSI). Inspections shall be recorded with inspector's name and date tested.

Should the need to repair or replace any parts on this station, please contact Stingray Systems. Before any repairs are performed, please verify that the water supply to the station is shut off.

GUARANTEE

We guarantee the Stingray Systems product to be free from defects in workmanship and material, and for a period of eighteen (18) months from date of shipment from the factory or one (1) year from date of installation, whichever occurs first, will replace any parts found by us to be defective. We will not be held responsible, however, for any labor incidental to, or for any damages caused by defective material.

With any questions, please do not hesitate in contacting us at: **1-888-445-4142** or via email at **info@tepid.com**.

VALVE TROUBLESHOOTING

Problem	Checklist
No hot water.	Ensure hot water is on. Check pressure at both inlets. Pressures must be near-equal, or seats will check and only allow cold water. Need at least 30 psi at both hot and cold inlets. Need at least a 20 degree difference between hot water and set temperatures, as well as cold water and set temperatures. Inspect checks for debris; clean/replace if needed. Remove thermostat and check for debris. Make sure liner can move. Clean thermostat. If continues, replace thermostat.
No cold water.	Ensure hot connects to hot side; cold to cold side. Inspect checks for debris; clean/replace if needed. Remove thermostat and check for debris. Ensure liner can move. Clean thermostat. Replace thermostat if needed.
No water.	Ensure hot water is on. Check pressure at both inlets. Pressures must be near-equal, or seats will check and only allow cold water. Need at least 30 psi at both hot and cold inlets. Need at least a 20 degree difference between hot water and set temperatures, as well as cold water and set temperatures. Inspect checks for debris; clean/replace if needed. Remove thermostat and check for debris. Ensure liner can move. Clean thermostat. Replace thermostat if needed.
Insufficient flow.	Ensure hot water is on. Check pressure at both inlets. Pressures must be near-equal, or seats will check and only allow cold water. Need at least 30 psi at both hot and cold inlets. Need at least a 20 degree difference between hot water and set temperatures, as well as cold water and set temperatures. Inspect checks for debris; clean/replace if needed. Remove thermostat and check for debris. Ensure liner can move. Clean thermostat. Replace thermostat if needed.
Temperature fluctuation.	Ensure incoming building pressure is not fluctuating. Inspect supply lines for other equipment that may be reducing pressure to the emergency fixtures. Check pressure at both inlets. Pressures must be near-equal, or seats will check and only allow cold water. Need at least 30 psi at both hot and cold inlets. Need at least a 20 degree difference between hot water and set temperatures, as well as cold water and set temperatures. Inspect checks for debris; clean/replace if needed. Remove thermostat and check for debris. Ensure liner can move. Clean thermostat. Replace thermostat if needed.
Leaks around thermostat.	Remove thermostat and check O-ring. If damaged or worn, replace/tighten.
Water in thermostat.	Check connection. Replace thermometer.



WEEKLY TEST RECORD

Month	Test 1	Test 2	Test 3	Test 4
January				
February				
March				
April				
May				
June				
July				
August				
September				
October				
November				
December				
January				
February				
March				
April				
May				
June				
July				
August				
September				
October				
November				
December				

Plumbed emergency eyewashes, eye/face washes, drench hoses, shower, and combinations systems shall be activated and tested for a period long enough to verify operation and ensure that flushing fluid is available.

WARNING: This product contains chemicals known to the State of California to cause cancer and birth defects or other reproductive harm. (Installer: California law requires that this warning be given to the consumer.)
For more information: www.oehha.org/prop65