

# Series S2000 Swing Activated Emergency Eye & Eye/Face Wash

 Certified to ANSI Z358.1



## In order to comply with the ANSI Z358.1 Standard the following notes should be observed:

- Station should be assembled and installed in accordance with the manufacturer's instructions, including flushing fluid delivery requirements.
- Station should be in accessible locations that require no more than 10 seconds to reach. The eye/face wash station shall be located on the same level as the hazard and the path of travel shall be free of obstructions that may inhibit its immediate use.
- Station should be located in an area identified with a highly visible sign positioned so the sign shall be visible within the area served by the eye/face wash station. The area around the eye/face wash station shall be well-lit.
- Eye/Face wash shall be positioned with nozzles not less than 33 inches (83.8 cm) and no greater

than 45 inches (114.3 cm) from surface on which user stands and 6 inches (15.3 cm) minimum from wall or nearest obstructions.

- If shut off valves are installed in the supply line for maintenance purposes, provisions shall be made to prevent unauthorized shut off.
- Refer to ANSI Z358.1 to ensure compliance.

**NOTES:** It is recommended to flush pipes prior to installing emergency eyewash fixture. Instructions should be reviewed prior to starting the installation. Remove parts from packaging and verify all necessary parts are accounted for and not damaged. Please contact Stingray Systems for any missing or damaged parts prior to starting installation.

Stingray Systems recommends that you work safely at all times and in a manner consistent with the OSHA Lock/Tagout standard, 29 CFR 1910.147 and other applicable standards.

## INSTALLATION

1/2" FNPT Inlet Connection

Supplies Required (Not Included):

Pipe Sealant or Teflon Tape - To Be Used On All Piping Connections

Wall Anchors(4) or Floor Anchors (3) 3/8" Anchors

Specific For Wall or Floor Substrate

### Wall Mount Installation

1. Utilizing mounting pattern, drill holes as shown (see detail). Ensure that all holes are clean and free of any grease or debris.
2. Blocking Must be added for drywall Installation. See page 3 for example insallaiton.
3. Attach nipple through base and into housing.
4. Line up mounting holes in base and in housing. Attach base/housing assembly to wall with included anchors. Tighten screws until snug
5. Ensure that pull down actuator is facing forward.
6. Mount sign near the assembled unit at the desired location.
7. Put arm in the up (off) position.
8. Connect 1/2" supply piping to nipple on assembled station. Installer to provide sufficient support of piping so that the assembled station is not relied on to supply support.
9. Open supply line to check for leaks. Pull down on actuator to insure adequate flow and drainage through Eye/Face Wash. Push back to stop water flow.

### Deck Mount Installation

1. Utilizing mounting pattern, drill holes as shown (see detail). Ensure that all holes are clean and free of any grease or debris.
2. Attach nipple through base and into housing.
3. Line up mounting holes in base and in housing. Attach base/housing assembly to countertop with included anchors. Tighten screws until snug
4. Ensure that pull down actuator is facing forward.
5. Mount sign near the assembled unit at the desired location.
6. Put arm in the up (off) position.
7. Connect 1/2" supply piping to nipple on assembled station. Installer to provide sufficient support of piping so that the assembled station is not relied on to supply support.
8. Open supply line to check for leaks. Pull down on actuator to insure adequate flow and drainage through Eye/Face Wash. Push back to stop water flow.

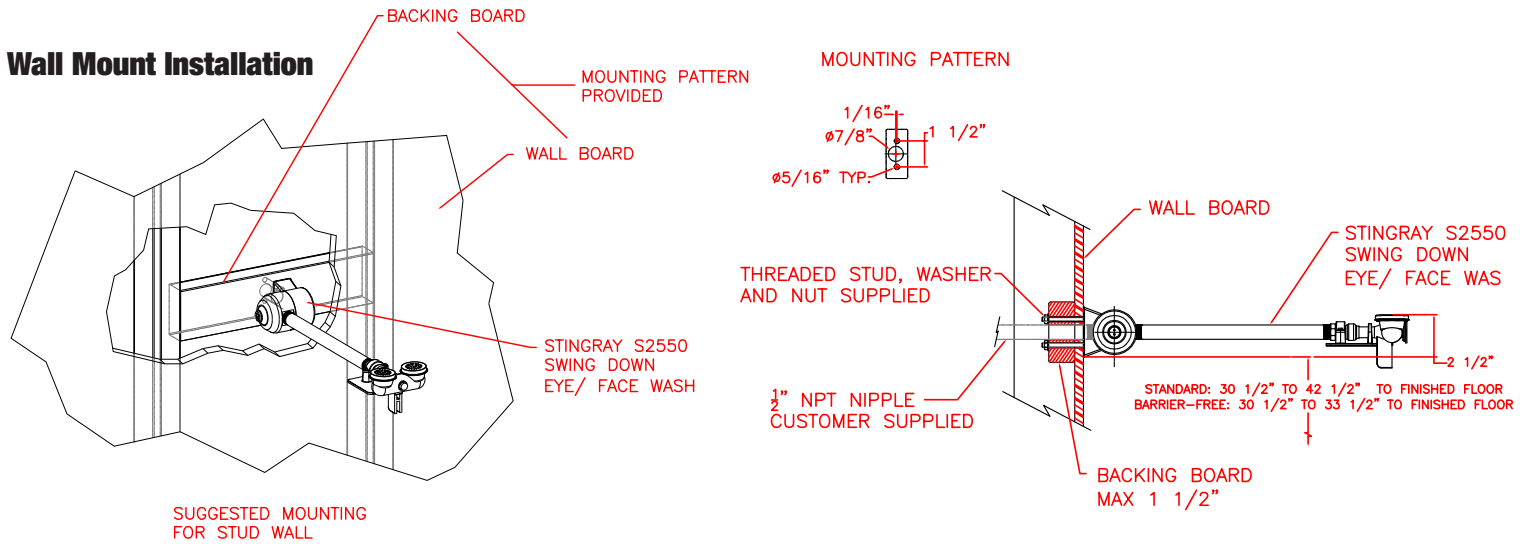
## Troubleshooting

Problem	Checklist
No flow.	Make sure the water supply for station is on.
Water does not drain properly.	Check to see if station is installed level and correct as needed. Make sure nothing is blocking drain of the bowl. Remove any debris. Double check the main waste line for the facility. Make sure there is no blockage and that it can handle the required drainage.
Water leaks between fittings or connections.	Tighten all connections. If leak persist, disassemble, apply additional sealant and reassemble.
Insufficient flow to eye/face wash.	Turn water supply to station off. Remove the eye pieces and clean out any debris. Make sure diverter is fully opened. Verify pressure to station is at 30 psi as required.

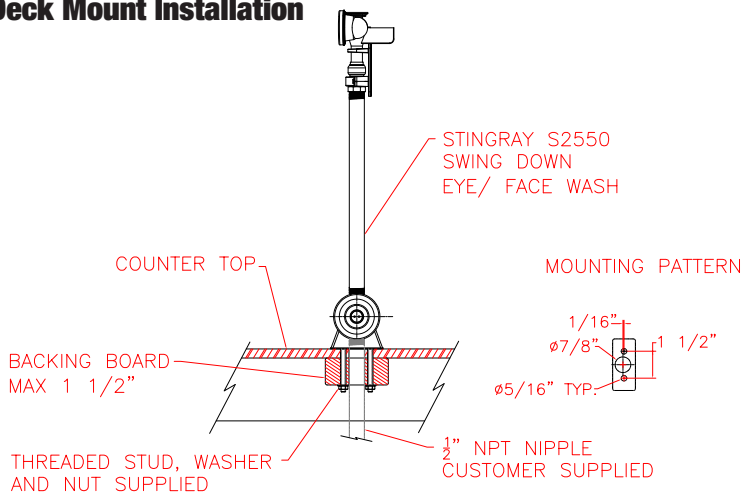
## Maintenance

Emergency Eye/Face Wash System shall be activated on a weekly basis to verify operation and to flush the lines per the American National Standards Institute (ANSI). Inspections shall be recorded with inspector's name and date tested.

Should the need to repair or replace any parts on this station, please contact Stingray Systems. Before any repairs are performed, please verify that the water supply to the station is shut off.



## Deck Mount Installation



## Guarantee

We guarantee the Stingray Systems product to be free from defects in workmanship and material, and for a period of eighteen (18) months from date of shipment from the factory or one (1) year from date of installation, whichever occurs first, will replace any parts found by us to be defective. We will not be held responsible, however, for any labor incidental to, or for any damages caused by defective material.

With any questions, please do not hesitate in contacting us at:

1-888-445-4142

or via email at [info@tepid.com](mailto:info@tepid.com)

# Series S2000 Test Record

## Location \_\_\_\_\_

YEAR	Date	T1	T2	T3	T4	YEAR	Date	T1	T2	T3	T4	
	Jan						Jan					
	Feb						Feb					
	March						March					
	April						April					
	May						May					
	June						June					
	July						July					
	Aug						Aug					
	Sept						Sept					
	Oct						Oct					
	Nov						Nov					
	Dec						Dec					
YEAR	Jan					YEAR	Jan					
	Feb						Feb					
	March						March					
	April						April					
	May						May					
	June						June					
	July						July					
	Aug						Aug					
	Sept						Sept					
	Oct						Oct					
	Nov						Nov					
	Dec						Dec					
	YEAR	Jan						YEAR	Jan			
Feb						Feb						
March						March						
April						April						
May						May						
June						June						
July						July						
Aug						Aug						
Sept						Sept						
Oct						Oct						
Nov						Nov						
Dec						Dec						

*Before you use this chart please make a copy for future testing records.*