



Stingray Systems S5600 Barrier Free Combination Emergency Shower and Eye/Face Wash with Stingray SV Emergency Mixing Valve

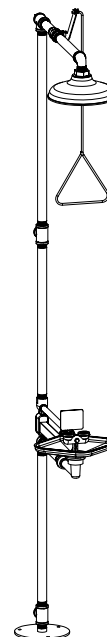
Model: S5600

For reference drawing see reverse of page				
Dimensions: REF[inches]	A	B	C	D
	27 1/4	97 1/4	60	2 3/4
	E	F	G	H
28	35	46 3/4	86 1/2	

The S5600 emergency combination shower and eye/face wash station shall be a pedestal mounted unit manufactured of corrosion resistant materials. The unit shall be barrier free for universal access and operation. The manifold assembly shall be a nickel plated brass unit with 1" NPT female connections for inlet and drain piping. It shall include centrally located activators with universal ANSI compliant sign. The bowl shall be either First Aid Red ABS or stainless steel. The eye/face wash heads shall be PVC with dust caps and incorporated into a Quick Switch Eyewash Element that can be easily removed and serviced allowing the supply piping to be flushed. The Quick Switch Eyewash Element, with optional filters, shall be a single supply source eyewash unit to ensure symmetrical and equal flow through each sprayhead. The station shall incorporate a 1/4" thick base plate that is 8" in diameter and shall be secured to the floor with appropriate anchors. The emergency combination station shall be installed level, be self draining, and rated to deliver water at a minimum of 20 gpm at 30 psi to showerhead, and 3 gpm at 30 psi to eye/face wash. Unit shall be supplied with either a Stingray SV125 or SV160, depending on application, Emergency Mixing valve.

Sample Model Number for a S5600 combination unit without a filter, epoxy finish, ABS bowl, SV160 valve that is rough brass, in a stainless steel semi-recessed cabinet:

S5600-NF-EP-ABS-SV160-RB-SSSR



Quick Switch Eyewash Element Options:

- Filter 70 Micron (**F**)
- No Filter (**NF**)

Pipe Finish:

- Galvanized (**GA**)
- Epoxy (**EP**)

Bowl Material Options:

- ABS (**ABS**)
- Stainless Steel (**SS**)

Valve Options:

- SV 125 (**25GPM @ 30psi**)
- SV 160 (**60GPM @ 30psi**)

Valve Finish:

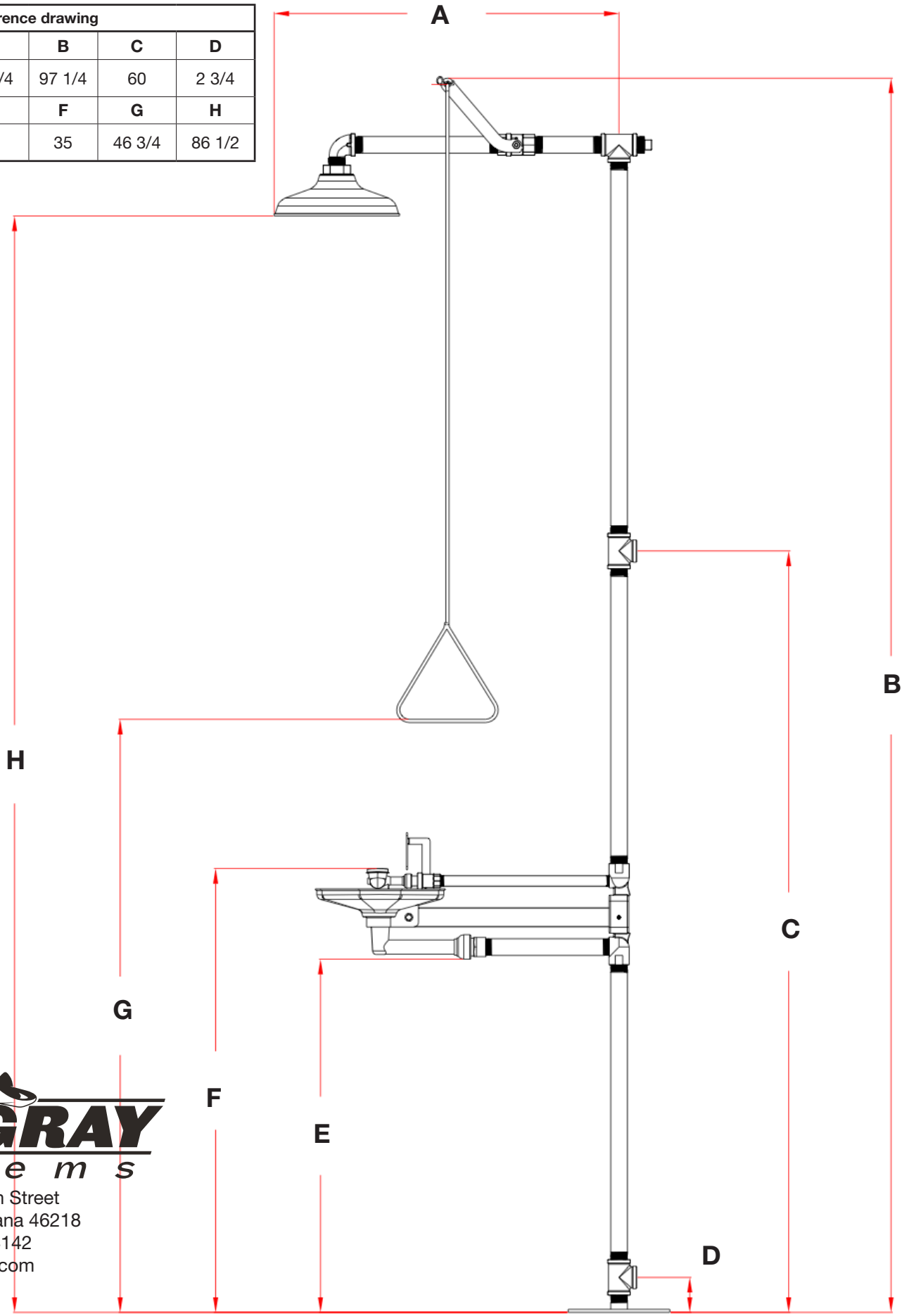
- Rough Brass (**RB**)
- Chrome Plated (**CP**)

Cabinet Options:

- Stainless Steel Recessed (**SSR**)
- Stainless Steel Exposed (**SSE**)
- Stainless Steel Semi-Recessed (**SSSR**)
- Carbon Steel Recessed (**CSR**)
- Carbon Steel Exposed (**CSE**)
- Stainless Steel Exposed (**SSE**)
- Carbon Steel Semi-Recessed (**CSSR**)

Model: S5600

Reference drawing				
Dimensions: REF[inches]	A	B	C	D
	27 1/4	97 1/4	60	2 3/4
	E	F	G	H
28	35	46 3/4	86 1/2	



5330 East 25th Street
Indianapolis Indiana 46218
(888) 445-4142
www.tepid.com