

Thermostatic Mixing Valve Model SV107

Emergency Eyewash/Facewash Unit No. 84908

Patent Information:
tepid.com/patents

ASSE Lead Free Certified 

 ASSE 1071 Approved

Inlets & Outlet are 1/2" NPT

The Emergency Eyewash/Facewash Mixing Valve shall control outlet temperature over a wide range of flow and shall be suitable for single eyewash or facewash applications in order to comply with ANSI standard Z358.1-2014. Temperature adjustment shall be vandal-resistant.

The control mechanism shall employ a liquid-filled thermostatic motor to drive the valve without additional power requirements. The control mechanism shall employ a stainless steel sliding piston control device with reverse seat closure and both fixed and variable cold water bypass.

In the event of interruption of the cold water supply, the control mechanism closes off the hot water port, stopping all flow. Positive hot water shut-off.

In the event of interruption of the hot water supply, the control mechanism shall allow cold flow through both the fixed and variable bypass.

In the event that the liquid motor fails, the control mechanism closes off the hot water port with the reverse seat and fully opens the internal variable bypass to allow cold water flow.

Pipe Inlet Size: 1/2".

Maximum Inlet Pressure: 125 PSI.

Recommended Supply Pressure: 65 PSI.

Recommended Inlet Temperature: 120° F.*

VALVE FINISH

Rough Bronze Chrome Plate

TEMP. RANGE

70° to 90° F

SET POINT

85° F

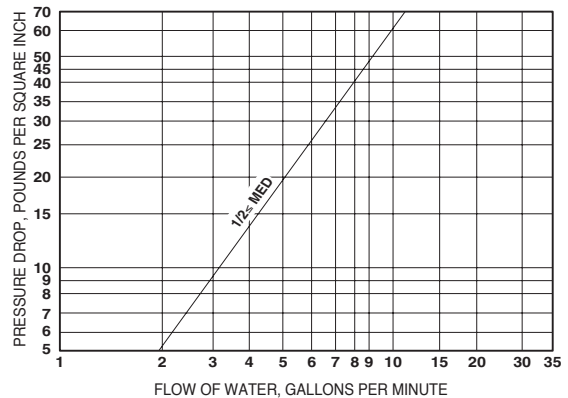
*When supplying 140°F or greater, additional outlet controls should be used.

The valve is supplied with an outlet thermometer.

DIMENSIONS:

Valve Number	A	B	C
SV107	9"	8"	5"

CAPACITY OF TYPE SV107 THERMOSTATIC MIXING VALVE FOR EMERGENCY EYE/FACE WASH



CAPACITIES - MODEL SV107

Pressure Drop PSI	5	10	20	30	45
Tempered Flow GPM	2	3	5	7	10
Tempered Flow LPM	7.5	11	18	26	38

BYPASS CAPACITIES - MODEL SV107

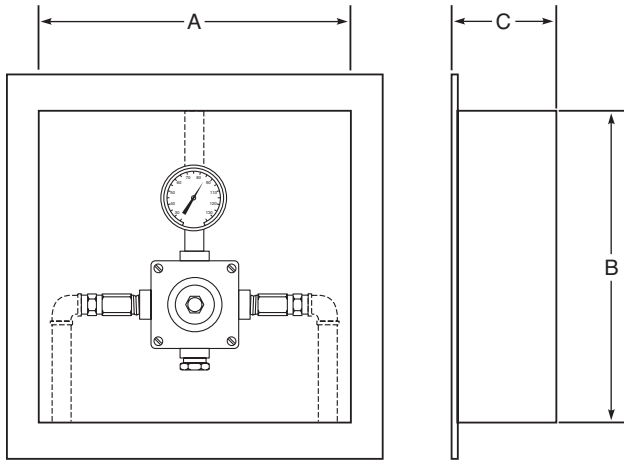
Pressure Drop PSI	5	10	20	30	45
Cold Bypass GPM	1	2	4	5	7
Cold Bypass LPM	4	7.5	15	18	26

Note: The mixing valve must be installed with inlet check valves and the Eyewash/Facewash fixture should be installed 4 to 10 feet from the mixing valve. Provisions shall be made to thermally isolate the valve. Hot and cold water inlet pressures must be equal.

STINGRAY
systems
5330 East 25th Street
Indianapolis Indiana 46218
(888) 445-4142
www.tepid.com

Helps meet
ANSI standard
Z358.1-2014

Design and specification subject to change without notice.



Thermostatic Mixing Valve Model SV107

Emergency Eyewash/Facewash Unit No. 84909

Patent Information:
tepid.com/patents

ASSE Lead Free Certified



ASSE 1071 Approved

Inlets & Outlet are 1/2" NPT
Add 1 1/2" for flange

The Emergency Eyewash/Facewash Mixing Valve shall control outlet temperature over a wide range of flow and shall be suitable for single eyewash or facewash applications in order to comply with ANSI standard Z358.1-2014. Temperature adjustment shall be vandal-resistant.

The control mechanism shall employ a liquid-filled thermostatic motor to drive the valve without additional power requirements. The control mechanism shall employ a stainless steel sliding piston control device with reverse seat closure and both fixed and variable cold water bypass.

In the event of interruption of the cold water supply, the control mechanism closes off the hot water port, stopping all flow. Positive hot water shut-off.

In the event of interruption of the hot water supply, the control mechanism shall allow cold flow through both the fixed and variable bypass.

In the event that the liquid motor fails, the control mechanism closes off the hot water port with the reverse seat and fully opens the internal variable bypass to allow cold water flow.

Pipe Inlet Size: 1/2".

Maximum Inlet Pressure: 125 PSI.

Recommended Supply Pressure: 65 PSI.

Recommended Inlet Temperature: 120° F.*

VALVE FINISH

Rough Bronze Chrome Plate

TEMP. RANGE 70° to 90° F **SET POINT** 85° F

CABINET STYLE

Surface **MATERIAL** Stainless Steel
Recessed Carbon Steel

*When supplying 140°F or greater, additional outlet controls should be used.

The valve is supplied with an outlet thermometer. Inlet/outlet piping is to be supplied by others.

Cabinet top out available

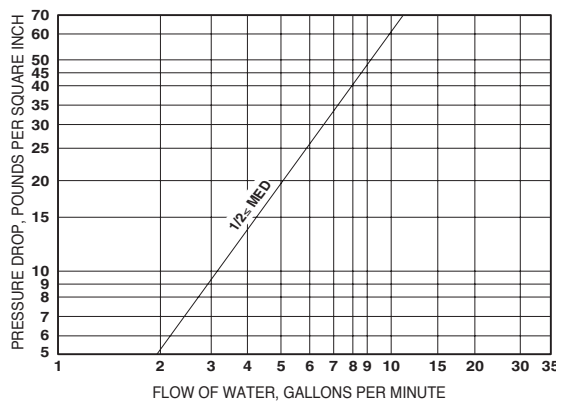
STINGRAY
systems
5330 East 25th Street
Indianapolis Indiana 46218
(888) 445-4142
www.tepid.com

Helps meet
ANSI standard
Z358.1-2014

DIMENSIONS:

Valve Number	A	B	C
Cabinet	14"	14"	6 1/8"

CAPACITY OF TYPE SV107 THERMOSTATIC MIXING VALVE FOR EMERGENCY EYE/FACE WASH



CAPACITIES - MODEL SV107

Pressure Drop PSI	5	10	20	30	45
Tempered Flow GPM	2	3	5	7	10
Tempered Flow LPM	7.5	11	18	26	38

BYPASS CAPACITIES - MODEL SV107

Pressure Drop PSI	5	10	20	30	45
Cold Bypass GPM	1	2	4	5	7
Cold Bypass LPM	4	7.5	15	18	26

Note: The mixing valve must be installed with inlet check valves and the Eyewash/Facewash fixture should be installed 4 to 10 feet from the mixing valve. Provisions shall be made to thermally isolate the valve. Hot and cold water inlet pressures must be equal.

Design and specification subject to change without notice.