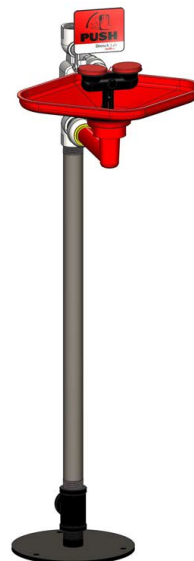
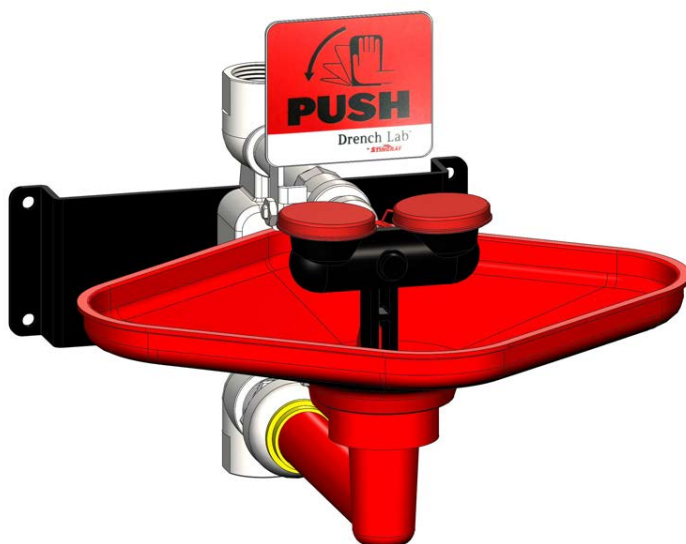


Series S2000

Emergency Eye & Eye/Face Wash

 Certified to ANSI Z358.1



In order to comply with the ANSI Z358.1 Standard the following notes should be observed:

- Station should be assembled and installed in accordance with the manufacturer's instructions, including flushing fluid delivery requirements.
- Station should be in accessible locations that require no more than 10 seconds to reach. The eye/face wash station shall be located on the same level as the hazard and the path of travel shall be free of obstructions that may inhibit its immediate use.
- Station should be located in an area identified with a highly visible sign positioned so the sign shall be visible within the area served by the eye/face wash station. The area around the eye/face wash station shall be well-lit.
- Eye/Face wash shall be positioned with nozzles not less than 33 inches (83.8 cm) and no greater

than 45 inches (114.3 cm) from surface on which user stands and 6 inches (15.3 cm) minimum from wall or nearest obstructions.

- If shut off valves are installed in the supply line for maintenance purposes, provisions shall be made to prevent unauthorized shut off.
- Refer to ANSI Z358.1 to ensure compliance.

NOTES: It is recommended to flush pipes prior to installing emergency eyewash fixture. Instructions should be reviewed prior to starting the installation. Remove parts from packaging and verify all necessary parts are accounted for and not damaged. Please contact Stingray Systems for any missing or damaged parts prior to starting installation.

Stingray Systems recommends that you work safely at all times and in a manner consistent with the OSHA Lock/Tagout standard, 29 CFR 1910.147 and other applicable standards.

INSTALLATION

Supplies Required (Not Included):

Pipe Sealant or Teflon Tape - To Be Used On All Piping Connections

Wall Anchors(4) or Floor Anchors (3) 3/8" Anchors Specific For Wall or Floor Substrate

Wall Installation

1. Attach Manifold Assembly to Wall Mount Plate with flat head screws.
2. Secure Wall Plate to wall with wall anchors.
3. Insert Eye/Face Wash Bowl Assembly into Manifold with red drainpipe going into drain fitting. Tighten setscrews on side of Manifold to support tube. Press fit drain fitting on Manifold Assembly to red drainpipe on Eye/Face Wash Bowl Assembly.
4. Loop Eye Piece Safety covers to Eye Block inlet tube on Eye Block Assembly. Press fit Eye Block into Eye/Face Wash Bowl Assembly.
5. Mount sign near the assembled unit at the desired location.
6. Connect 1" supply piping to assembled station. Installer to provide sufficient support of piping so that the assembled station is not relied on to supply support.
7. Connect 1" drain piping to drain outlet at the bottom of the station.
8. Open supply line to check for leaks. Push on activator to insure adequate flow and drainage through Eye/Face Wash. Pull back to stop water flow.

Pedestal Installation

1. Thread section of galvanized pipe to Floor Base.
2. Thread Manifold Assembly onto end of galvanized pipe/Floor Base Assembly.
3. Position partially assembled unit at final location, insuring that drain connection is located to the rear of the unit or away from where user where stand. Using the Floor Base as a template, install three anchors (supplied by others) into the floor. Secure partially assembled unit to the floor with the anchors.
4. Insert Eye/Face Wash Bowl Assembly into Manifold with red drainpipe going into drain fitting. Tighten setscrews on side of Manifold to support tube. Press fit drain fitting on Manifold Assembly to red drainpipe on Eye/Face Wash Bowl Assembly.
5. Loop Eye Piece Safety covers to Eye Block inlet tube on Eye Block Assembly. Press fit Eye Block into Eye/Face Wash Bowl Assembly.
6. Mount sign near the assembled unit at the desired location.
7. Connect 1" supply piping to assembled station. Installer to provide sufficient support of piping so that the assembled station is not relied on to supply support.
8. Connect 1" drain piping to drain outlet at the bottom of the station.
9. Open supply line to check for leaks. Push on activator to insure adequate flow and drainage through Eye/Face Wash. Pull back to stop water flow.

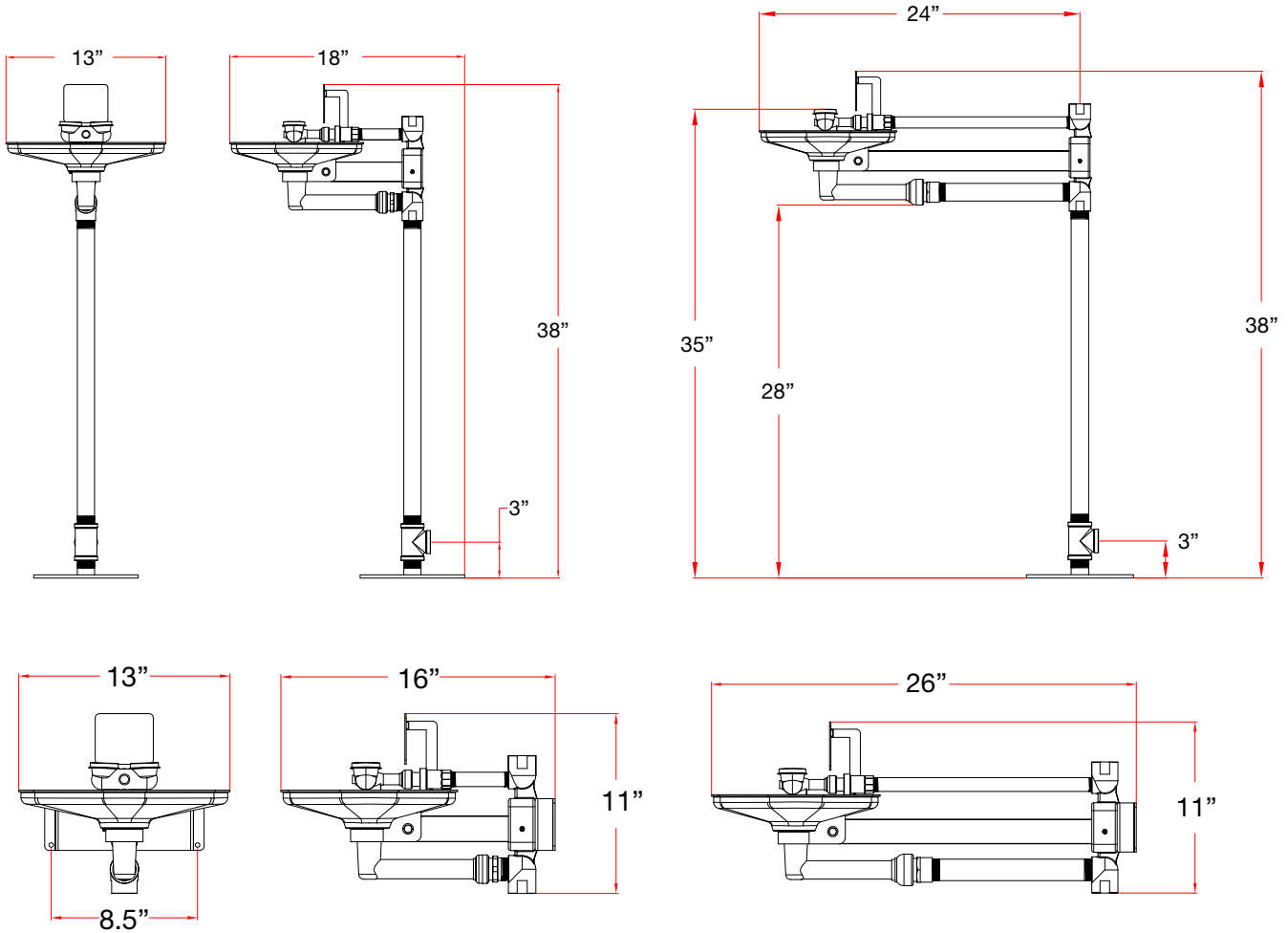
Troubleshooting

Problem	Checklist
No flow.	Make sure the water supply for station is on.
Water does not drain properly.	Check to see if station is installed level and correct as needed. Make sure nothing is blocking drain of the bowl. Remove any debris. Double check the main waste line for the facility. Make sure there is no blockage and that it can handle the required drainage.
Water leaks between fittings or connections.	Tighten all connections. If leak persist, disassemble, apply additional sealant and reassemble.
Insufficient flow to eye/face wash.	Turn water supply to station off. Remove the eye pieces and clean out any debris. Make sure diverter is fully opened. Verify pressure to station is at 30 psi as required.

Maintenance

Emergency Eye/Face Wash System shall be activated on a weekly basis to verify operation and to flush the lines per the American National Standards Institute (ANSI). Inspections shall be recorded with inspector's name and date tested.

Should the need to repair or replace any parts on this station, please contact Stingray Systems. Before any repairs are performed, please verify that the water supply to the station is shut off.



Guarantee

We guarantee the Stingray Systems product to be free from defects in workmanship and material, and for a period of eighteen (18) months from date of shipment from the factory or one (1) year from date of installation, whichever occurs first, will replace any parts found by us to be defective. We will not be held responsible, however, for any labor incidental to, or for any damages caused by defective material.

With any questions, please do not hesitate in contacting us at:

1-888-445-4142

or via email at info@tepid.com

Series S2000 Test Record

Location _____

YEAR	Date	T1	T2	T3	T4	YEAR	Date	T1	T2	T3	T4	
	Jan						Jan					
	Feb						Feb					
	March						March					
	April						April					
	May						May					
	June						June					
	July						July					
	Aug						Aug					
	Sept						Sept					
	Oct						Oct					
	Nov						Nov					
	Dec						Dec					
YEAR	Jan					YEAR	Jan					
	Feb						Feb					
	March						March					
	April						April					
	May						May					
	June						June					
	July						July					
	Aug						Aug					
	Sept						Sept					
	Oct						Oct					
	Nov						Nov					
	Dec						Dec					
	YEAR	Jan						YEAR	Jan			
Feb						Feb						
March						March						
April						April						
May						May						
June						June						
July						July						
Aug						Aug						
Sept						Sept						
Oct						Oct						
Nov						Nov						
Dec						Dec						

Before you use this chart please make a copy for future testing records.